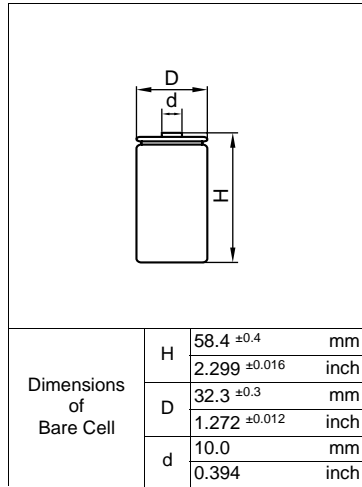


# SANYO

## Cadnica

### Cell Type KR-5000DEL

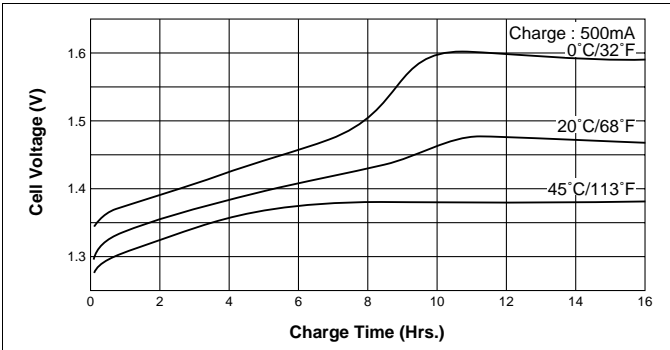
### Specifications



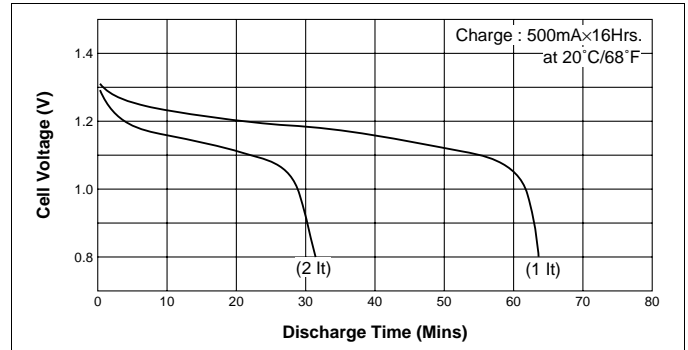
Nominal Capacity		5000mAh	
Nominal Voltage		1.2V	
Charging Current	Standard	500mA	
	Fast	7500mA	
Charging Time	Standard	14 to 16Hrs.	
	Fast	about 1Hr.	
Ambient Temperature	Charge	Standard	0°C to +45°C [+32°F to 113°F]
		Fast	0°C to +45°C [+32°F to 113°F]
	Discharge	-20°C to +60°C [-4°F to 140°F]	
	Storage	-30°C to +50°C [-22°F to 122°F]	
Internal Impedance (Av.) (at 50% discharge)		3.5mΩ (at 1000Hz)	
Weight		152g/5.36oz	
Dimensions(D)×(H) (with tube)		33.2 <sup>0</sup> <sub>-0.9</sub> × 1.31 <sup>0</sup> <sub>-0.04</sub>	59.5 <sup>0</sup> <sub>-1.5</sub> × 2.34 <sup>0</sup> <sub>-0.06</sub> mm inch

### Typical Characteristics

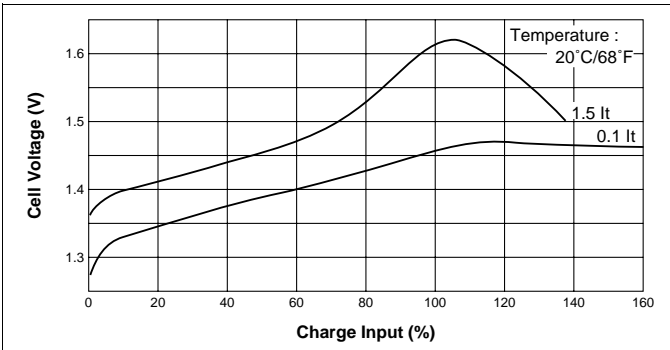
#### Charge



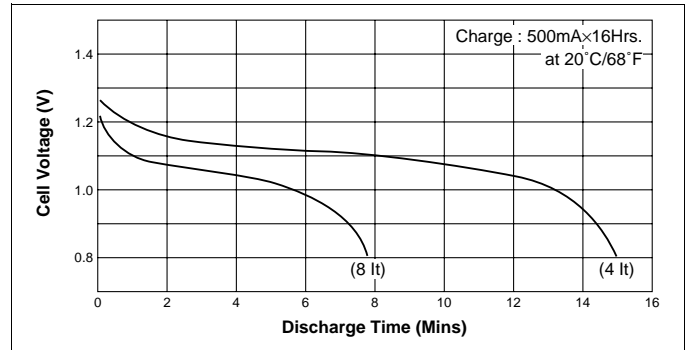
#### Discharge (at high rate)



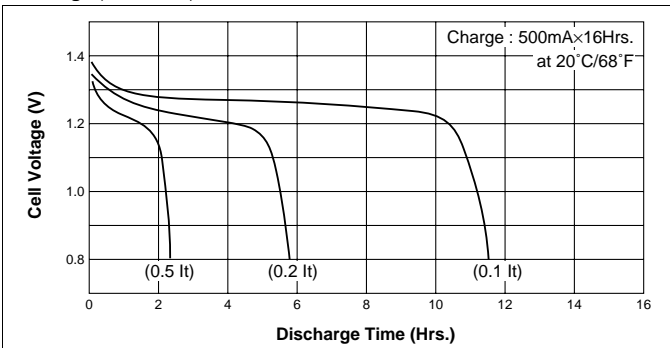
#### Charge



#### Discharge (at high rate)



#### Discharge (at low rate)



#### Temperature (Charge & Discharge)

